



BLIND DESIGNS™
REFLECT YOUR STYLE

ENHANCE
YOUR
WORKSPACE



COMMERCIAL
BY BLIND DESIGNS™

COMMERCIAL
BLINDS

THE BENEFITS OF SOLAR SHADING IN COMMERCIAL BUILDINGS

HVAC REDUCTION

Building modelling proves substantial HVAC savings of up to 16% for highly-glazed office space using internal shading.

With optimal integration the need for air-conditioning can be reduced.

Shading systems are beneficial all year round as they reduce the need for cooling when hot and reduce the need for heating when cold.

CAPITAL SAVING

Solar shading is a self-financing climate control system. An analysis of HVAC systems in three climate zones - Stockholm, Amsterdam and Madrid showed how solar shading paid for itself in less than a year.

SOLAR GAIN & OVERHEATING

Shading prevents overheating. Solar gain (G TOT) with double glazed windows can be reduced from 0.85 to 0.24 by using shading.

HEAT LOSS & INSULATION

Glazing is a weak point in a building's thermal performance and a major source of heat loss.

Shading insulates a building's glazed areas. A single glazed window can have its insulation improved by over 50%.

BENEFITS OF AUTOMATION

Optimal, dynamic performance delivered by automated shading significantly reduces the risk of overheating.

PRODUCTIVITY

Work performance diminishes below 19-22°C and above 23-24°C. Shading systems can contribute to superior work performance, increased concentration and well-being in the workplace.

INDOOR COMFORT

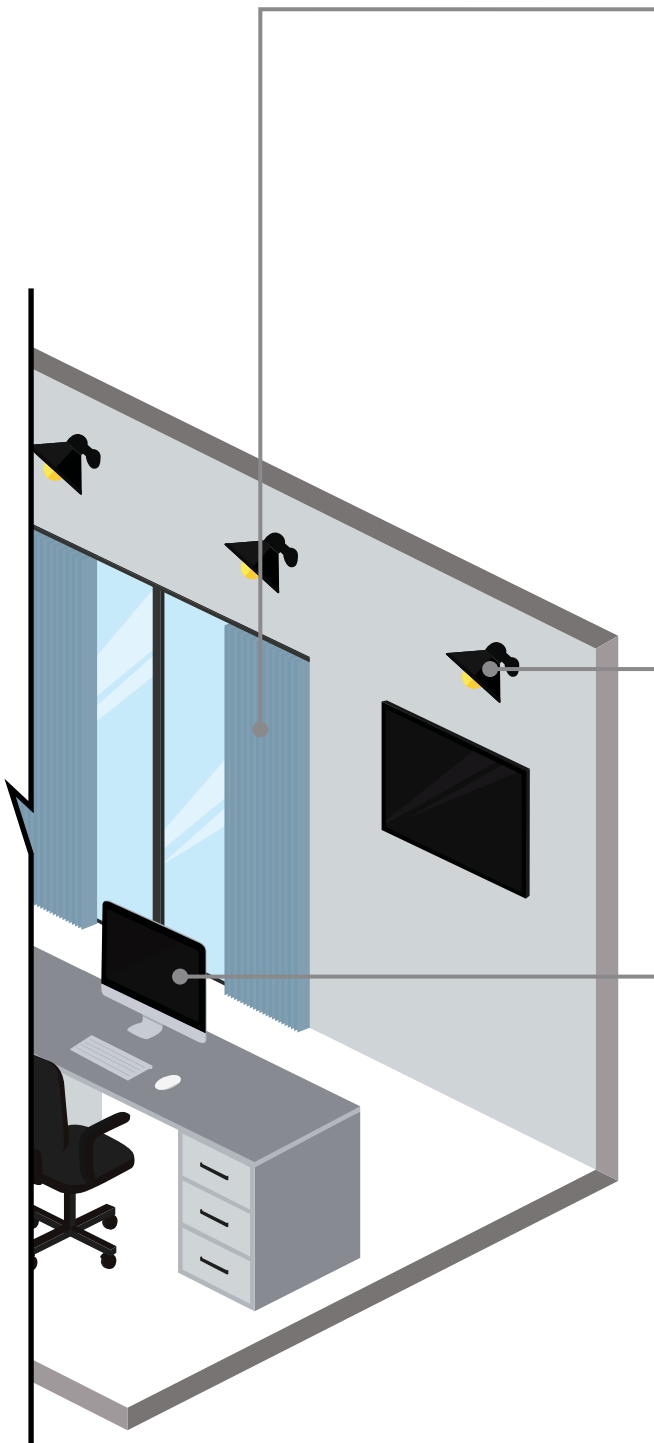
Almost 90% of our time is spent indoors. Thermal, visual and acoustic comfort aids emotional, attitudinal and cognitive response in an individual.



THE BENEFITS OF SOLAR SHADING IN COMMERCIAL BUILDINGS



www.blinddesigns.co.za



DAYLIGHT HARVESTING

Shading allows harvesting of natural light, which improves indoor comfort, occupants well-being and reduces the use of artificial lighting, saving money.

PRIVACY

Shading offers two way privacy and a functional/visual divider in buildings.

DAYLIGHT EXPOSURE

Insufficient daylight affects task performance and can cause visual and physiological disorders e.g. headaches, eyestrain, depression and reduced vitality.

Office workers exposed to daylight and contact with the outside world have been found to sleep an average of 46 minutes more every night compared to those in offices with no natural light.

ARTIFICIAL LIGHTING

Artificial lighting can be reduced by controlling and optimising the amount of daylight with shading. People naturally prefer daylight to other sources of illumination.

GLARE CONTROL

Light and glare is effectively controlled by shading. Shading regulates luminance according to varying visual comfort needs.

COLOUR RENDERING

Artificial light can cause inadequate colour rendition with detrimental effects in terms of stress levels and productivity.

SUSTAINABILITY

Passive cooling techniques such as shading systems are identified as priorities by the Internal Energy Agency as non-energy intensive means of reducing the need for air-conditioners. The ESCORP/EU25 study quantified that 80 million tons of CO² could potentially be saved by installing solar shading.

Blind Designs has a selection of window coverings designed to enhance the work or hospitality environment. Hardware systems are designed to be durable, reliable and easy to use. A range of performance fabrics and materials are available to compliment the practical requirements of your commercial space.



SCREEN ROLLER BLINDS

Screen Roller Blinds are as beautiful as they are practical. The woven fabrics allow a view to the outside while effectively controlling heat and glare. Make your choice from a wide variety of ranges that vary in how they are woven and how open they are, to provide the correct degree of glare and heat control.



BLOCKOUT ROLLER BLINDS

A Blockout Roller Blind is perfect for any area where you require full light or privacy control. Available in a wide range of colours and textures, the roller hardware is also available in a choice of 4 colours. The Blockout Roller Blind features durable practicality with decorative style.



LIGHT FILTERING ROLLER BLINDS

A Light Filtering Roller Blind features a fabric that provides privacy while still allowing you to harness your natural light for a room. The Light Filtering Blind is a great way to add texture to a room as the combination of the weave accentuated by the light adds depth to your décor.



DOUBLE ROLLER BLINDS

Two Roller Blinds enclosed in one neat cassette system with a minimal footprint in your window reveal. The blinds, controlled separately, offer a screen fabric to allow daytime views and privacy and a full blackout for full night control and privacy. Get the best of both worlds with one neat solution.



RETRO AND 35MM ALUMINIUM BLINDS

The Retro and 35mm Aluminium Venetian Blind are incredibly versatile products. Simple to use controls make them ideal for controlling the light or ensuring privacy, you can also lift the blind to draw in daylight. The wider than normal slat and quality finishing makes for a blind that will be durable and compliment your environment.



VISION BLINDS

The Vision Blind offers an ideal balance between privacy and light control in a fashionable manner. A Vision Blind features two layers of translucent and opaque horizontal striped fabric. A single control allows the front layer to move independently of the back so that the stripes glide between each other creating an open and closed effect, with limitless light control.



WOOD VENETIAN BLINDS

The Wood Venetian Blind is a premium blind solution that is versatile and perfect for creating a modern, uncluttered look in your commercial space. Whether you choose to tilt the slat and control your light or lift it completely to appreciate your view, the blind is bound to complement your décor.



ALLUSION BLINDS

If you're looking to create an instant impact in your work space with something a little different then Allusion Blinds would be the perfect choice. Allusion Blinds really come into their own in larger windows and folding doors where their unique flowing fabric vanes allow you to enjoy both light and privacy.



RIPPLE SHADE BLINDS

The Ripple Shade is a contemporary window treatment that brings a delicate soft flow to your window covering. Draped with a perfect blend of aesthetics and functionality, Ripple Shade offers both the luxury of a curtain with the simplistic structure and function of a blind. Available with a choice of top tracks that offer durable smooth operation.



CELLULAR BLINDS AND CELLULAR PERFECT FIT BLINDS

The incredibly efficient cellular blinds not only look great but also help keep energy costs down. Their unique honeycomb structure creates a thermal barrier between the room and window to provide additional insulation. Available in a Free Hang, Skylight or the unique Perfect Fit format that attaches directly to suitable UPVC, Tilt and Turn or Aluminium window frames.



ALTRA SHUTTERS

Altra Shutters, available in Hinged and Double Hinged configurations, will be the focal point of your room. The Aluminium material is durable and easy to clean and is beautifully finished to simulate the elegance of a traditional timber shutter. The Altra Shutter also provides great practicality with good control over light and privacy.



OUTDOOR BLINDS

The Outdoor Blind is the modern alternative for your external space. The hi-tech fabrics manage heat and glare while maintaining the view.

The Outdoor Blind will allow you maximum use of your external areas by stopping heat and glare and also providing a degree of weather protection while maintaining your view.

Blind Designs offers the following resources to Architects, Specifiers, Interior Designers and Project Managers. Please request the information below from your Blind Designs distributor or contact Blind Designs at info@blinddesigns.co.za with your request for any of the resources featured below.

TECHNICAL FABRIC SPECIFICATIONS

Detailed Specifications to assist in correctly specifying a product. These specifications include:

- Measured Solar Optical Properties
- Indoor Air Quality Certifications
- Anti Bacterial Certifications

- Flame Retardant Classifications
- Acoustical Data



SOLAR GAIN

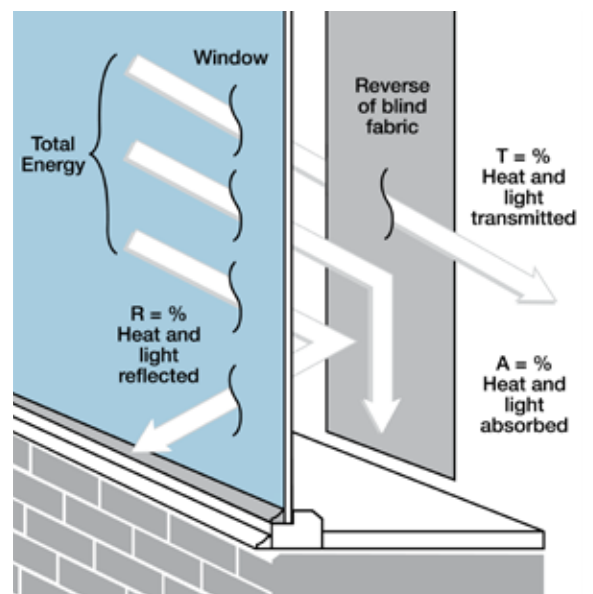
The amount of heat increase resulting from solar energy entering a room. It is the total of three separate parts - the amount of energy transmitted directly into the room, the energy which is absorbed by the blind and the proportion of energy which is absorbed by the window.

SHADING CO-EFFICIENT

The solar heat gain with the blind at the window divided by the solar heat gain with no blind at the window. The lower the shading coefficient, therefore, the higher the efficiency of the fabric.

GTOT

When the G-value (a measure of total solar energy that passes through the glazing system and the blind fabric) of the glazing is combined with the value of the shading.

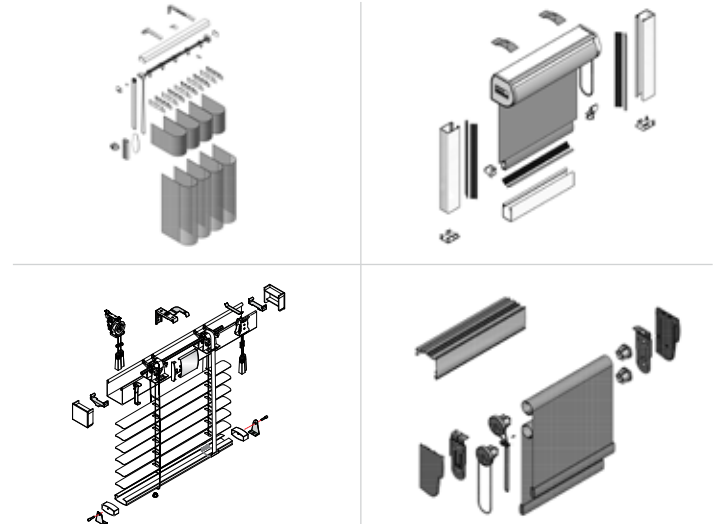


SYSTEMS AND HARDWARE SPECIFICATIONS

Specifications to assist in correctly specifying your blind hardware system. These specifications include:

Maximum Widths
Maximum Drops
System Drawings

Weight Capacity
Installation Fixing Options
Material Composition



FABRIC SWATCHING SERVICE

Fabric swatch cuttings (a maximum of 10 fabrics per request) can be requested to assist in compiling storyboards and making colour selections. Please provide details of the range and colour requirements together with a delivery address and the fabric swatches will be delivered to you.





BLIND DESIGNS™
REFLECT YOUR STYLE



 **COMMERCIAL**
BY BLIND DESIGNS™

www.blinddesigns.co.za